

C & U

CREATIVE
& UNIQUE



Electromagnetic anechoic box

Taurus series

Low price, Light weight, Short delivery !



MY1520

High quality and reliability the testing and measuring instruments manufacturer offers.

Good cost-performance and short delivery time.

MICRONIX

Line up

MY1510

Small size : Portable and light weight type



Model	MY1510
Outside dimensions	380 (W) x380 (D) x165 (H) mm (excluding projections)
Inside dimensions	315 (W) x315 (D) x100 (H) mm
Weight	approx. 3.5kg (without I/F Module)
Shielding characteristics	more than 60dB @ 2.4GHz
Reflection loss	more than 20dB @ \geq 2.4GHz, MYA-75
Connectors	2 pcs of SMA @ back
I/F Module installation capacity	1 module @ back

MY1520

Medium size : The most general and universal type



Model	MY1520
Outside dimensions	520 (W) x520 (D) x520 (H) mm (excluding projections)
Inside dimensions	460 (W) x460 (D) x460 (H) mm
Weight	approx. 15kg (without I/F Module)
Shielding characteristics	more than 60dB @ 2.4GHz
Reflection loss	more than 20dB @ \geq 2.4GHz, MYA-75
Connectors	2 pcs of SMA @ back
I/F Module installation capacity	2 module @ back

MY1530

Large size : The type corresponding to even big EUT



Model	MY1530
Outside dimensions	1120 (W) x620 (D) x705 (H) mm (excluding projections)
Inside dimensions	1000 (W) x500 (D) x500 (H) mm
Weight	approx. 56kg (without I/F Module)
Shielding characteristics	more than 60dB @ 2.4GHz
Reflection loss	more than 20dB @ \geq 1.2GHz, MYA-77
Connectors	4 pcs of SMA @ 2 at back and each one at both sides
I/F Module installation capacity	4 modules @ 4 at back

Option

MY1510

I/F Module

MY1520

I/F Module

Wooden table

Radio wave absorber (MYA-77)

Radio wave absorber (MYA-79)

MY1530

I/F Module

Wooden table

Turn table unit

Radio wave absorber (MYA-75)

Radio wave absorber (MYA-79)

I/F Module

The I/F module is a module on which AC supply, DC supply, LAN, USB, SMA, BNC, N, Triaxial and/or D-sub connectors are

mounted. All of the I/F modules are common to **Taurus** series.

Option	Mounted connectors
IFM1	AC (1pc)、LAN (1pc)、USB (1pc)、D-sub9pin (1pc)
IFM2	AC (1pc)、LAN (2pcs)、USB (2pcs)、D-sub9pin (1pc)
IFM3	AC (1pc)、LAN (2pcs)、USB (2pcs)、D-sub25pin (1pc)
IFM4	DC (1pc)、LAN (1pc)、USB (1pc)、D-sub9pin (1pc)、D-sub25pin (1pc)
IFM5	SMA (2pcs)、BNC (2pcs)、N (2pcs)、Triaxial (2pcs)

Medium size installing two I/F modules



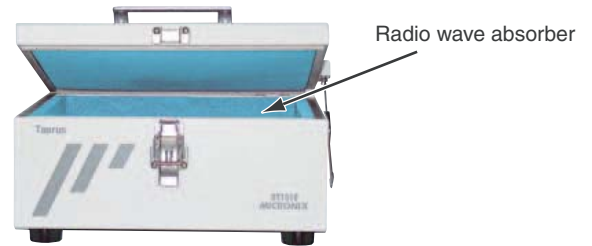
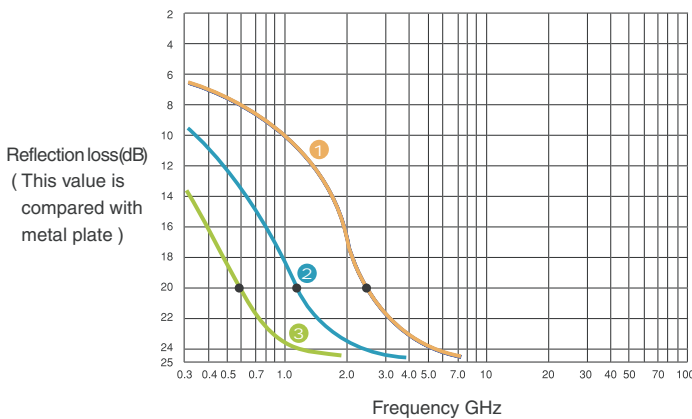
※Separately, the shield window module and the shield mesh module can be supplied.

Radio wave absorber

The radio wave absorber of the urethane system, of which the characteristics is similar to all of linear, elliptic and circular polarizations, is installed in **Taurus** series. The standard absorber

is the MYA-75 for the MY1510/1520 and the MYA-77 for the MY1530, but other absorber is selectable as an option for the MY1520/1530.

Characteristics data



No.	Model	Frequency range	Thickness
1	MYA-75	$\geq 2.4\text{GHz}$	approx. 3cm
2	MYA-77	$\geq 1.2\text{GHz}$	approx. 6cm
3	MYA-79	$\geq 0.6\text{GHz}$	approx. 12cm

Wooden table

This is a wooden table with casters. Two types of the Medium size and the Large size are prepared as options.



Wooden table for Medium size

Turn table unit

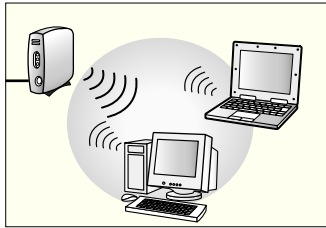
The turn table is available only for the Large size.



Diameter	200mm ϕ
Withstand load	10kg
Table material	Acrylic resin
Rotation angle	360°

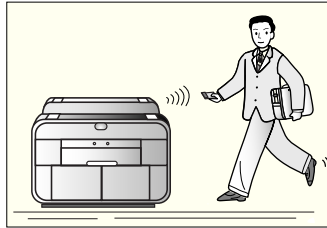
The equipment or component needing the electromagnetic anechoic box for test, measurement or inspection exists in the various fields. **Taurus** series provides the most suitable environment to realize this purpose.

■ Wireless LAN



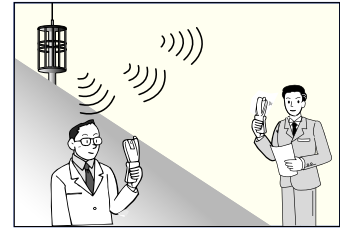
Frequency band 2.4GHz/5.1GHz

■ RF-ID tag



Frequency band UHF (950MHz)/2.4GHz

■ Cellular phone (PDC/GSM/IMT-2000/W-CDMA)

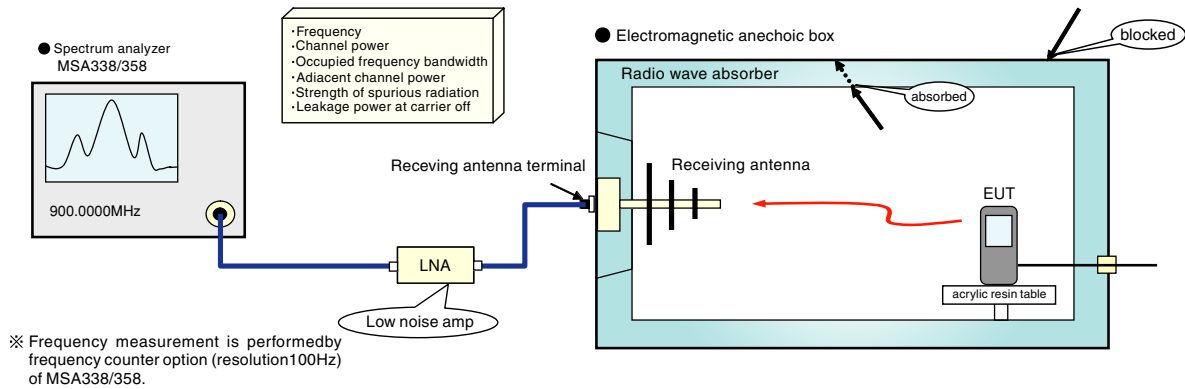


Frequency band 800MHz/900MHz/1.8GHz/2.2GHz

Application 1

◆ Transmission characteristics test of wireless equipment

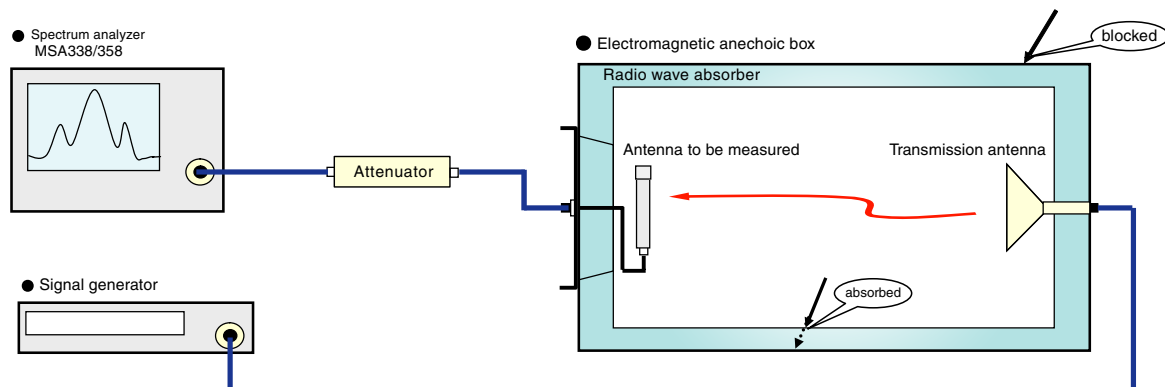
The receiving antenna installed at the opposite side of EUT receives the radio wave radiated from EUT, which is put on an acrylic resin table, and then the receiving signal is analyzed by Spectrum analyzer MSA338/358 so that the transmission characteristics of the wireless equipment can be evaluated.



Application 2

◆ Antenna characteristics measurement

The antenna characteristics is analyzed by the method that the antenna to be measured receives the radio wave radiated by the transmission antenna and then Spectrum analyzer MSA338/358 measures this receiving signal.



※ MICRONIX Corporation reserves the right to make changes in design, specification and other information without prior notice.

MICRONIX
MICRONIX Corp.

AGENCY

2987-2, KOBIKI-CHO, HACHIOJI-SHI, TOKYO 193-0934 JAPAN
TEL. +81-42-637-3667 FAX. +81-42-637-0227
URL: <http://www.micronix-jp.com> E-mail: micronix_e@micronix-jp.com