

DTA-SDH/155 SDH/PDH Transmission Analyzer

The DTA-SDH/155 transmission analyzer is a palm, graphic, color-LCD SDH/PDH measuring instrument designed for field use in analysis and maintenance of STM-1(155Mbps) and E1(2.048 Mbps) lines. The DTA-SDH/155 has optic and electric port, evaluate and analysis result according to ITU-T G.821, G.826, G.828, G.829, M.2100, M.2101. Its easy operation, light weight, long working hours, low price, may be the ideal solution for field work.

Functional feature

- For the analysis and evaluation of SDH and PDH networks and equipment up to 155Mbps.
- According to ITU.T G.821, G.826, G.828,G.829, M.2100, M.2101.
- Tandem Connection Monitoring (TCM) and APid tests.
- Support pointer adjustment test.
- Automatic Protection Switching (APS).
- Round trip delay measurement (STM-1 and E1).
- Scan VC4, VC3, VC12 tributary signals.
- Update through USB.
- Operate by Key-press or touch-screen.



Specification

- Electric port: unbalance, ITU-T G.703.
- Optic port: SFP (1310、1550), ITU-T G.957.
- Support Frequency offset ± 99 ppm, step:1ppm.
- Clock source: internal、external and recovery.
- PRBS: 2n-1(n=9,11,15,20,23), all "1", all "0".
- Customer can edit inserting and analyzing overhead.
SOH: J0, B1, B2, E1, E2, F1, D1, D2, D3, D4, D5, D6, D7, D8, D9, D10, D11, D12, S1, M1
POH: J1, B3, C2, G1, F2, H4, F3, K3, N1, V5, J2, N2, K4
- Pointer sequence adjustment according to ITU-T G.783.
- Monitor alarm and performance according to ITU-T G.783、G.958.
SDH: LOS, AIS, OOF, EFAS, LOF, RS/HP/LP TIM, MS/ AU/TU AIS, MS/HP/LP RDI, AU/TU LOP, HP/LP UNQ , TU LOM , HP/LP PLM, RFI MS-/HP-/LP-FERF
PDH: LOF, RAI, CRCL, MAIS, CASL, MRAI.
TCM: UNQ, LTC, RDI, ODI, TIM, AIS.
- From D1-D3, D4-D12, E1, E2, F1 transparent channel, insert/pick-up PRBS.
- ITU-T mappings for SDH, including the concatenated ones.



Shineway Technologies(China) Inc.

Floor 5th, Office Building, No.14 Huayuan North Rd. ,Haidian, Beijing 100083, China
Fax: +86 10 62386994 Tel: +86 10 82025442/51551122 <http://www.shinewaytech.com>

Test Mode:

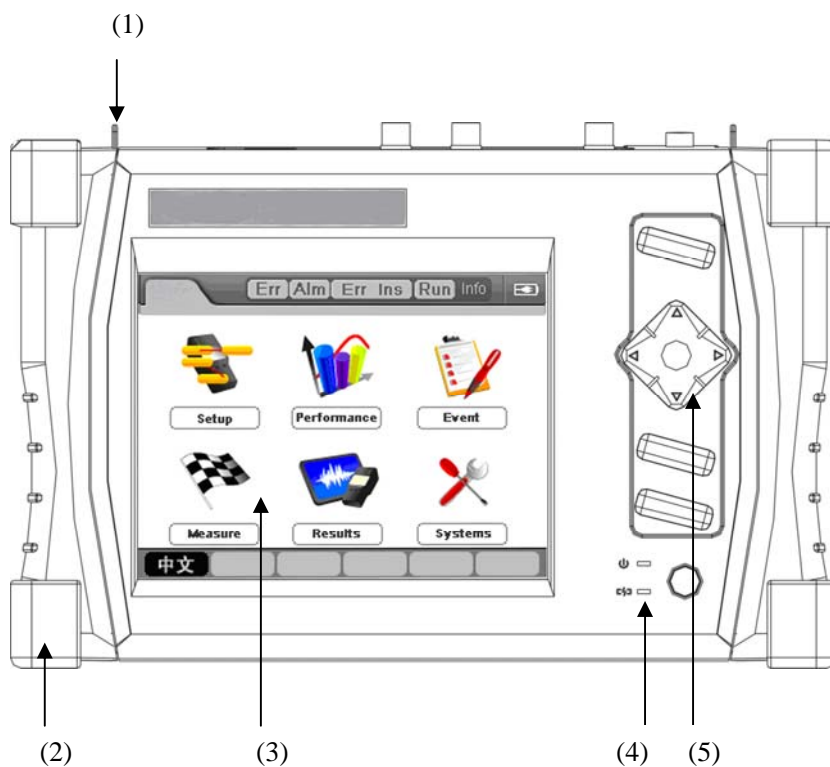
- SDH Path Mode
- SDH Demux Mode
- SDH Mux Mode
- SDH Monitor Mode
- SDH Through Mode
- PDH Path Mode
- PDH Monitor Mode
- PDH Through Mode

General

- Dimension: 240mm(L)*155mm(W)*77mm(H)
- Weight: 2Kg
- Power Supply: Input: 176-265VAC, 47-63Hz
Output: 9VDC 4A
- Operating Temperature: 0° C~40° C
- Storage Temperature: -20° C~60° C
- Relative Humidity: 0 to 95%(non-condensing)

Physical Characteristics

- (1) Fastening metal buckle of the belt;
- (2) Foursquare rubber protection cushion;
- (3) Color LCD screen;
- (4) LED pointer light;
- (5) Keypad: keys can be used for operation in case of the failure of touch screen.



Shineway Technologies(China) Inc.

Floor 5th, Office Building, No.14 Huayuan North Rd., Haidian, Beijing 100083, China
Fax: +86 10 62386994 Tel: +86 10 82025442/51551122 <http://www.shinewaytech.com>

Figure 1 Facade View

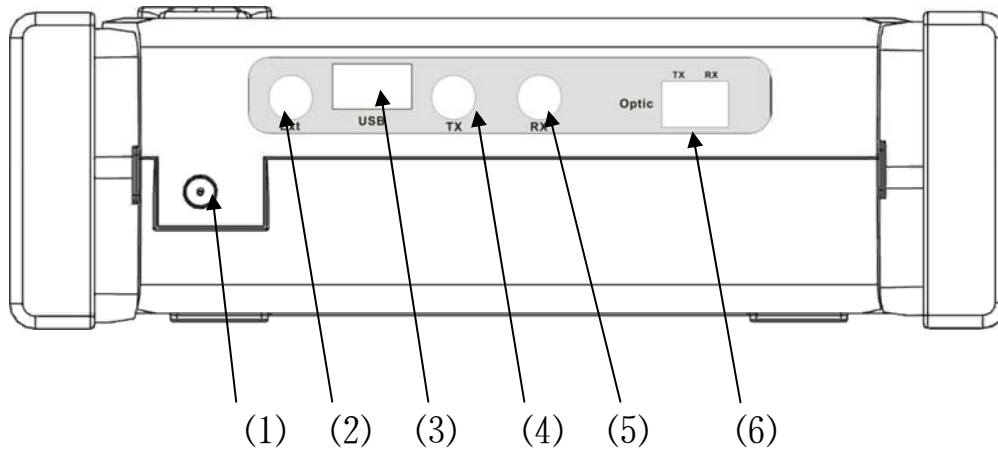
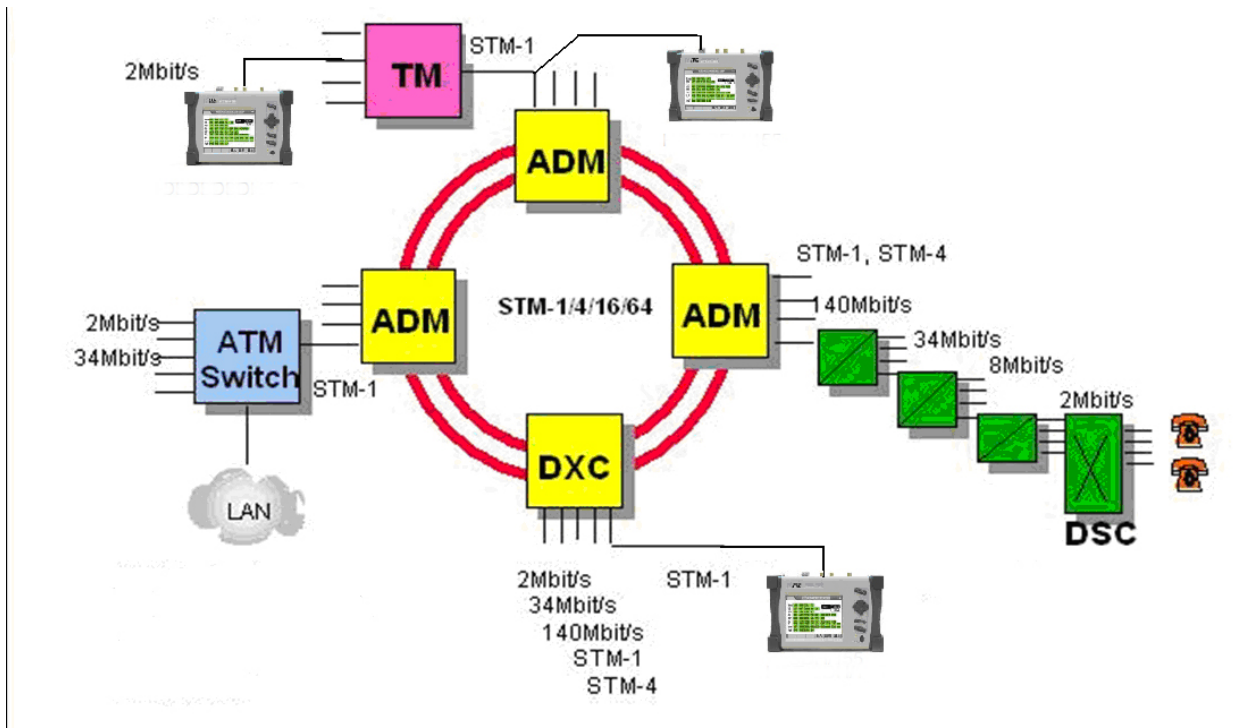


Figure 2 Top View

- (1) Electrical adapter port;
- (2) BNC input joint for external clock;
- (3) Standard USB port;
- (4) BNC joint of output port;
- (5) BNC joint of input port;
- (6) SFP port for optical input/output.

Application



Shineway Technologies(China) Inc.

Floor 5th, Office Building, No.14 Huayuan North Rd., Haidian, Beijing 100083, China

Fax: +86 10 62386994 Tel: +86 10 82025442/51551122 <http://www.shinewaytech.com>

Configuration

Ref	Item	Product name	Qty
1	Main machine	155M meter (including Li-battery)	1
		Instrument handle tape	1
2	Standard parts	Fiber LC-FC (1M)	2
3		Fiber LC-LC (1M)	2
4		USB interface cable (straight-through cable 1M)	1
5		BNC cable (Q9 1M)	2
6		220V-13.8V/3.5A power adapter	1
7		CD	1
8		Operating manual	1
9		Pack	1
10		External packing carton	1
11		Handwriting pen	1
12	Optional parts		
13			

Shineway Technologies(China) Inc.

Floor 5th, Office Building, No.14 Huayuan North Rd. ,Haidian, Beijing 100083, China

Fax: +86 10 62386994 Tel: +86 10 82025442/51551122 <http://www.shinewaytech.com>